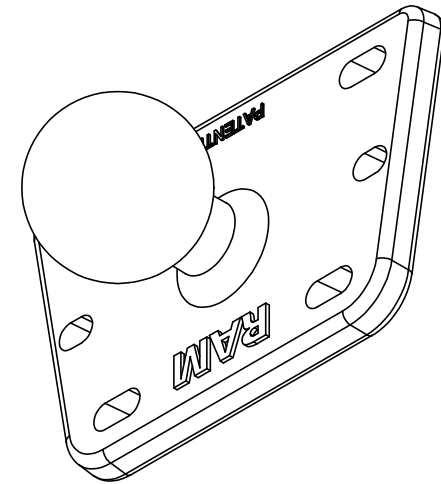
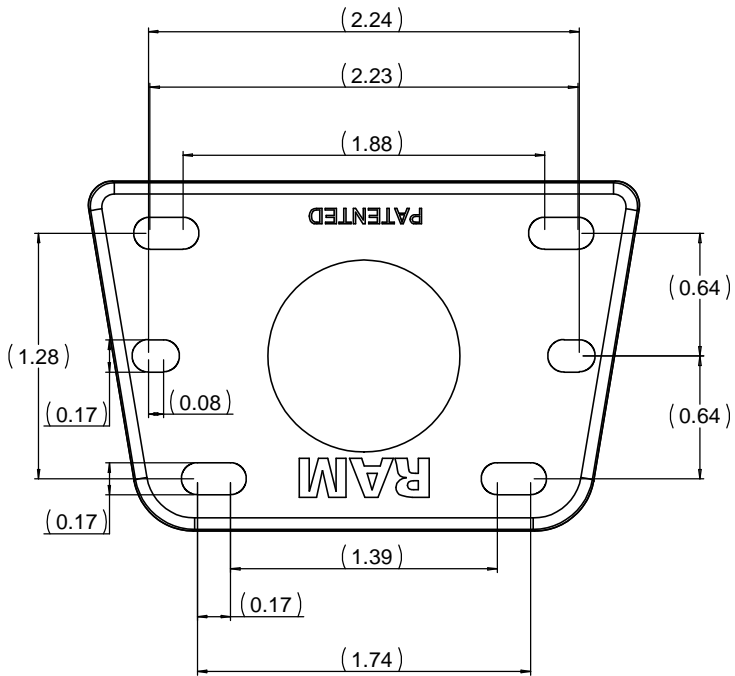
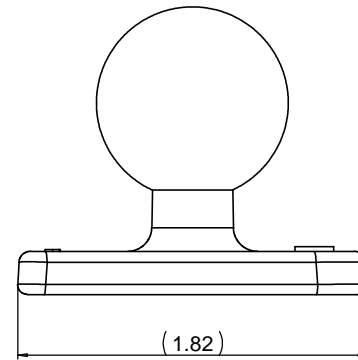
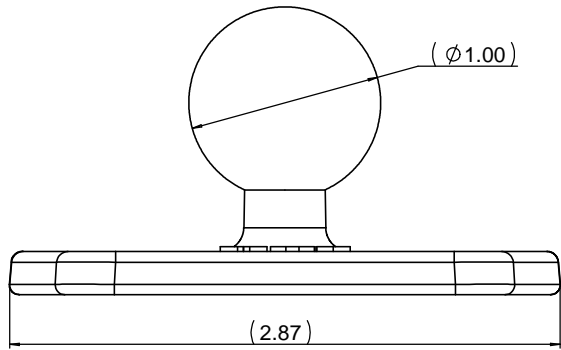


THE INFORMATION CONTAINED IN THIS DRAWING IS THE SOLE PROPERTY OF NATIONAL PRODUCTS INC. ANY REPRODUCTION IN PART OR WHOLE WITHOUT THE WRITTEN PERMISSION OF NATIONAL PRODUCTS INC. IS PROHIBITED.

REV.	DESCRIPTION	REVISIONS	DATE	APPROVED



UNLESS OTHERWISE SPECIFIED DIMENSIONS ARE IN INCHES		CAD GENERATED DRAWING. DO NOT MANUALLY UPDATE		NATIONAL PRODUCTS INC.	
FRACTIONS: DECIMALS ANGLES		APPROVALS	DATE	RAM CENTER RESEVOIR BASE WITH / 7/16" POST AND 1" DIA BALL	
+- 1/32	.XX+-.03 +-1 DEG.	DRAWN JDC	1/07/11		
.XXX+	-.010	CHECKED CMR	1/07/11		
MATERIAL MIXED	MFG ENG				
FINISH BLACK	QUAL ENG				
DO NOT SCALE DRAWING				ISS: C	REV: C
				DWG. NO: RAM-B-345	
				SCALE 1 TO 1	CAD FILE: RAMB345 SHEET 1 OF 1